

**Design Flexibility.
Field-Proven!**

PURE GOLD

Tire Chucks – Model 1440 RC

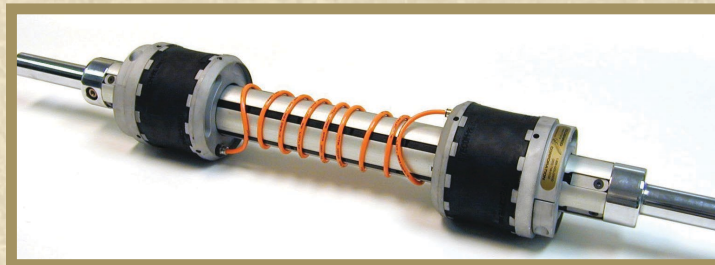


The Goldenrod / Svecom **Model 1440 RC Tire Chuck** is a light weight, durable core adapter. This design allows for quick and economical change-over from one core to another by sliding the chucks over and securely clamping them to a common base shaft. Available with or w/o core stop flanges.

3" / 5" / 6" / 8" / 10" and 12" - IN STOCK

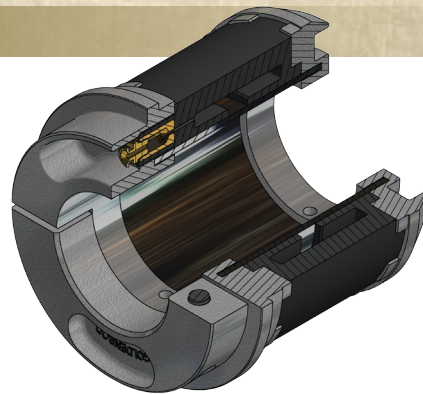
Lightest Weight Aluminum and Carbon Mandrels Available

(Interconnecting Hose allows operator to fill both Tire Chucks from one side)



Key Features:

- Lightest Cast Aluminum Tire Chuck Available
- **LOWEST** Cost
- Durable Construction / Heavy Duty Quick Clamp
- Concentrically Bored
- High Tirque Capability
- Easy to Install and Re-Position
- Available with Interconnecting Hose
- Easy Change Tires - Remove 6 Set Screws



Core ID	Material	Mounting	Max bore	Standard bore	Weight (aluminum) with max bore
3"	Steel or Aluminum	set screw	30 mm	1"	2.5 lbs
4"	Steel or Aluminum	split collar	2"	2"	5 lbs
5"	Aluminum	split collar	3"	2"	7.5 lbs
6"	Aluminum	split collar	3.3"	2.98" and 3.01"	7.25 lbs
8"	Aluminum	split collar	5"	3"	14 lbs
10"	Aluminum	split collar	6.5"	3"	28 lbs
12"	Aluminum	split collar	8"	3"	32 lbs

GOLDENROD



CORPORATION

Goldenrod Corporation - partnered with Svecom P.E.



**Design Flexibility.
Field-Proven!**

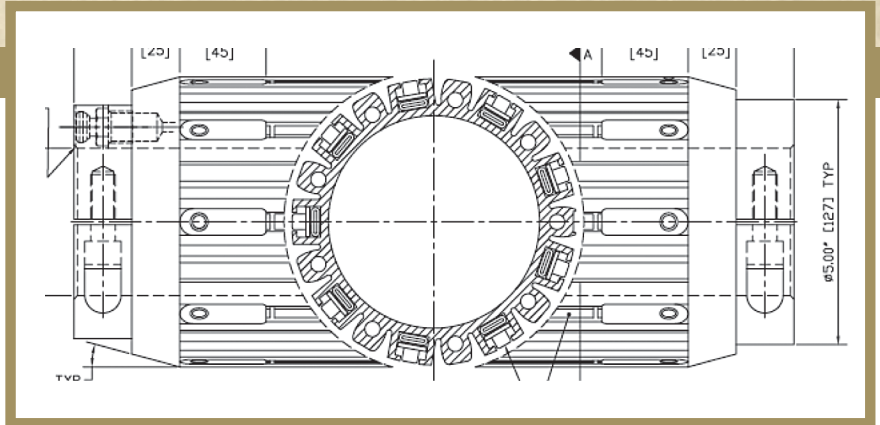
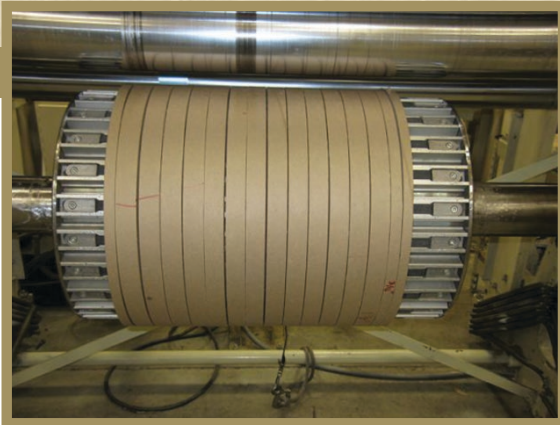
PURE GOLD

**Multi-Bladder Adapters –
Model 1460 Sleeves**



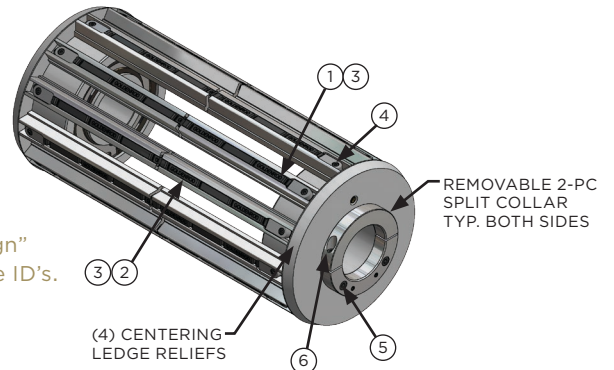
The Goldenrod / Svecom **Model 1460 Multi-Bladder Adapter** provides superior grip using either 6 or 9 full length hardened rubber grip ledges. Available for 3" to 16" ID Cores and lengths from 12" to 92".

Great for bridging gap between unwind chucks or for quick change on rewinds winding multiple cores.



Key Features:

- Full Length Grip - No need to reposition for new widths
- Simple / Easy Maintenance - 10 Minute Bladder Repair
- Available with Roller Ledges for easy roll loading
- Available with Lift Handles in the ULW profile
- Available with Single or Dual Clamp
- Ideal for sliding over Cantilevered Shafts
- Ideal for Rewind application / Multiple Rolls



Light Weight
"Spyder Design"
for larger core ID's.

GOLDENROD



CORPORATION

Goldenrod Corporation - partnered with Svecom P.E.



25 Lancaster Drive, Beacon Falls, CT 06403 USA
Toll Free 1-800-GOLDROD
Tel. (203) 723-4400 • FAX (203) 723-8230
www.goldenrodcorp.com

