

PNEUMATIC REELS MANIPULATOR

MOD. 300-1000/BMS



rapid movement and rotation of shaft with the least effort



easy to install



robustness and reliability



made in Svecom



certificate

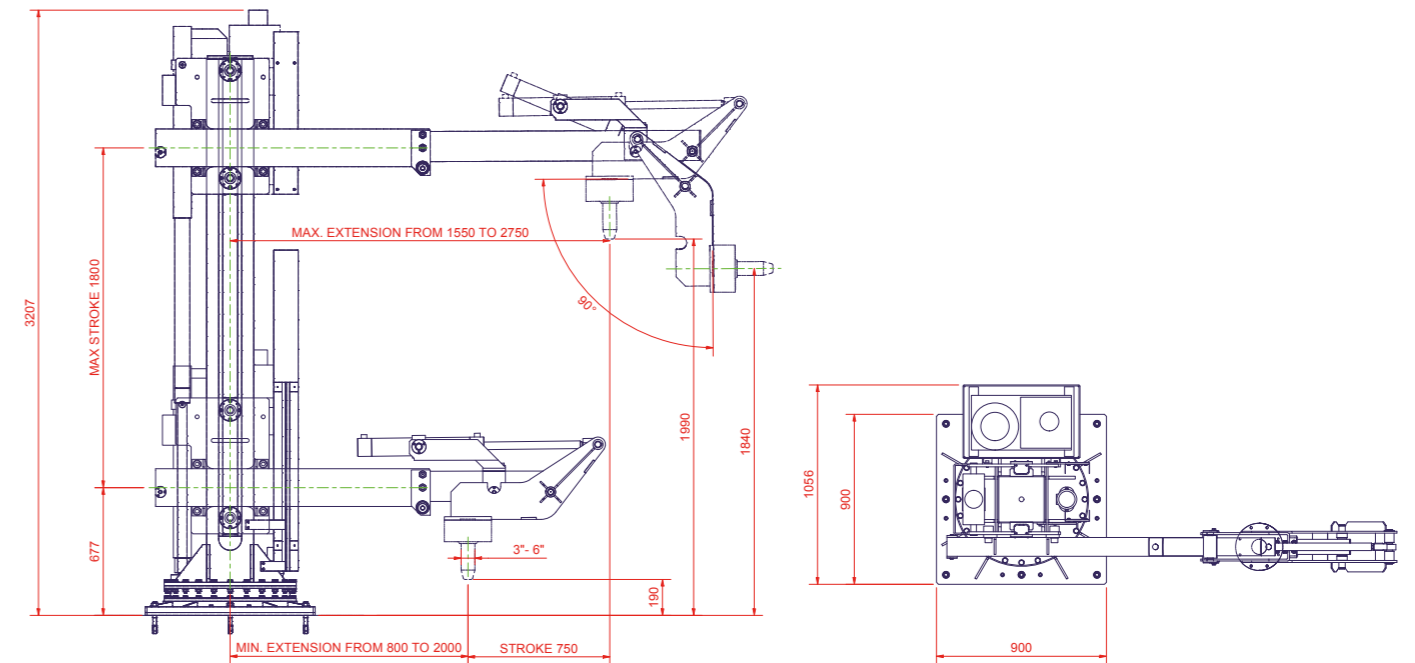


The reel manipulator has been designed in order to simplify the handling of reels.

300-1000 BMS is an electro-hydraulic machine designed to solve problems of reels' handling of different materials and different. It can load, palletize, store, move reels in a wide mass field; it is particularly suitable for special cards that

are difficult to handle.

It can be installed on the floor (fixed position) or on rail trolleys, connected to the power line and to hydraulic line (for movement of the gripping chuck). It can clamp the reel both on vertical and horizontal axis, with horizontal/vertical translation and rotation around the column.



GENERAL FEATURES MOD. 300-1000/BMS

- Electro-hydraulic
- The longer the arm is, the smaller the payload will be

DATA SHEET*	MOD. 300	MOD. 1000
PAYLOAD	150 kg	600 kg
HORIZ. ARM LENGHT	from 1450 to 2550 mm	from 1550 to 2750 mm
REELS	up to ø 2500 mm	up to ø 2500 mm
STROKE	max 1870 mm	max 1870 mm

*The technical data are purely indicative. Contact Svecom - P.E. for customized requests