

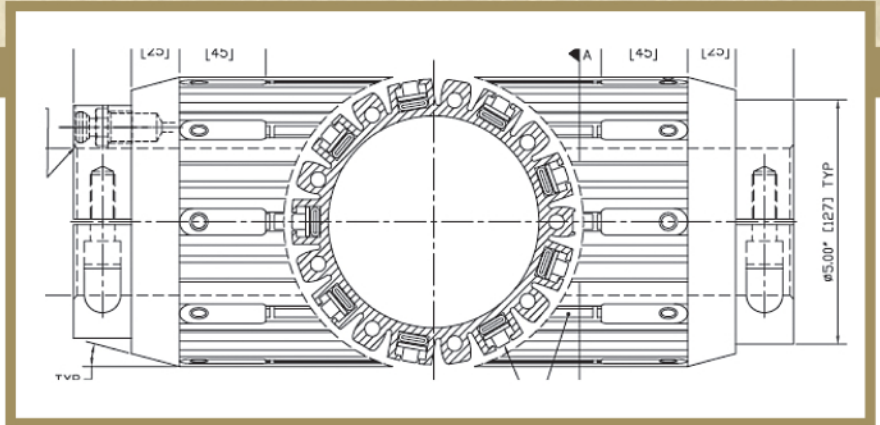
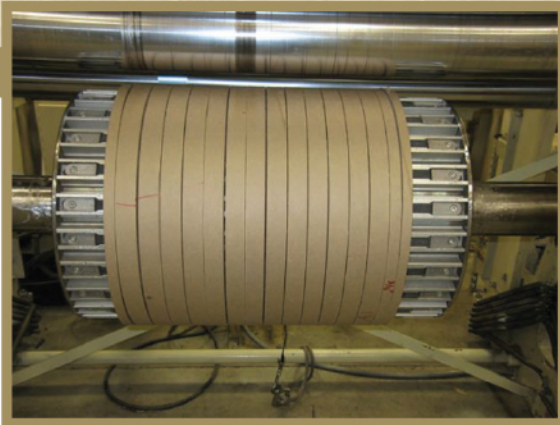
Design Flexibility.
Field-Proven!

PURE GOLD

Multi-Bladder Adapters – Model 1460 Sleeves

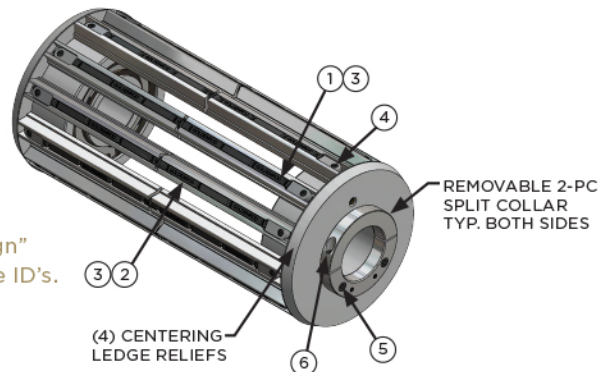
The Goldenrod / Svecom **Model 1460 Multi-Bladder Adapter** provides superior grip using either 6 or 9 full length hardened rubber grip ledges. Available for 3" to 16" ID Cores and lengths from 12" to 92".

Great for bridging gap between unwind chucks or for quick change on rewinds winding multiple cores.



Key Features:

- Full Length Grip - No need to reposition for new widths
- Simple / Easy Maintenance - 10 Minute Bladder Repair
- Available with Roller Ledges for easy roll loading
- Available with Lift Handles in the ULW profile
- Available with Single or Dual Clamp
- Ideal for sliding over Cantilevered Shafts
- Ideal for Rewind application / Multiple Rolls



Light Weight
"Spyder Design"
for larger core ID's.

GOLDENROD



CORPORATION

Goldenrod Corporation - partnered with Svecom P.E.



25 Lancaster Drive, Beacon Falls, CT 06403 USA
Toll Free 1-800-GOLDROD
Tel. (203) 723-4400 • FAX (203) 723-8230
www.goldenrodcorp.com

