

**Design Flexibility.
Field-Proven!**

PURE GOLD

DIFFERENTIAL SHAFT - MODEL 1250 CL (Cam Lock)



The **Goldenrod/Svecom Model 1250 CL (Cam Lock)** differential shaft can wind multiple rolls at very low web tensions. Each roll winds independently and builds diameter when proper air pressure is maintained.

A cam lock ring grips and locks the inside diameter of the core. The inside diameter of the cam lock ring then becomes the point of friction on the internal pneumatic shaft. The cam lock rings rotate on the internal pneumatic shaft which utilizes proprietary engineered materials to expand and control the amount of slip.

Key Features:

- Eliminates long set-up times - No Spacers / No Core Stops
- No Lubrication needed
- No Dust - all slip is internal
- Available for 3" to 16" ID cores
- Various width Cam Lock rings - down to 0.5" wide
- Quick and easy maintenance
- More successful retrofits than ANY other manufacturer/ Fast ROI



Cam Lock Differential

GOLDENROD

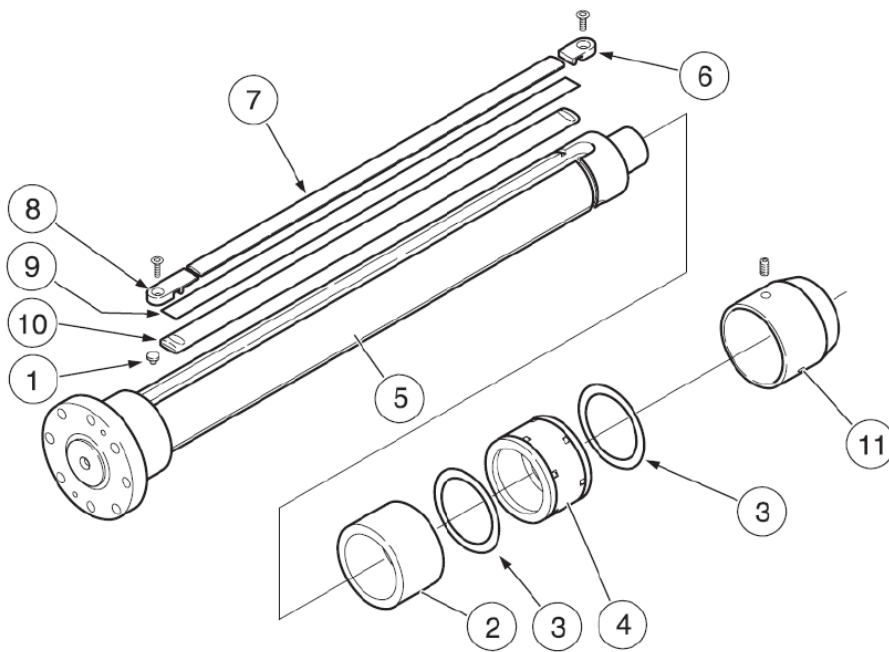


CORPORATION

Goldenrod Corporation - partnered with Svecom P.E.



TECHNICAL SPECIFICATIONS



1. Air Fitting
2. Sleeve
3. Spacer
4. Cam Lock Ring
5. Shaft Body
6. Crimp Lug
7. Friction Ledge
8. Crimp Lug
9. Teflon
10. Bladder

Goldenrod also offers Model 1250- DFX SMALL DIAMETER

Advantages

- Available for 1", 1.5" and 2.0" cores
- Made from one piece, solid steel
- Designed for low tension /narrow rolls
- Quick change options available for repeat jobs



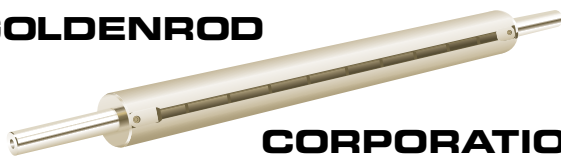
Goldenrod also offers Model 1250 DFX and DFB Differential Shafts

Advantages

- Available for 3" to 6" ID cores
- Dust FREE
- ZERO Lubrication



GOLDENROD



CORPORATION



Goldenrod Corporation - partnered with Svecom P.E.

25 Lancaster Drive, Beacon Falls, CT 06403 USA
Toll Free 1-800-GOLDROD
Tel. (203) 723-4400 • FAX (203) 723-8230
www.goldenrodcorp.com

