

Setting The Gold Standard

GOLDENROD

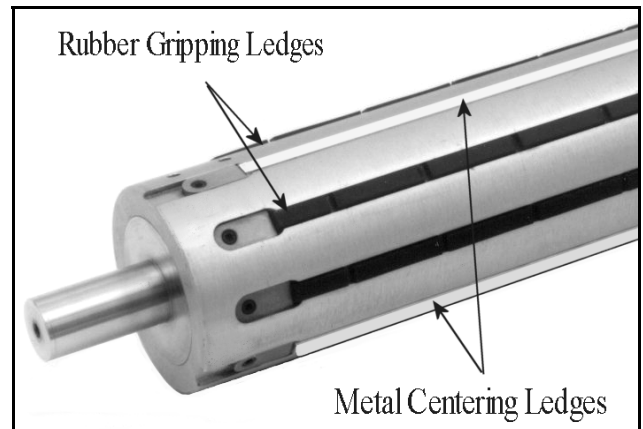
Goldenrod Roll-Centering Shafts

The Goldenrod Centering shaft is the only pneumatic shaft on the market that holds the core concentric to the shaft body. It is available in 3" to 24" body diameters.

A minimum of three expanding ledges at 120° apart are made of metal. The metal ledges are assembled into the shaft and expanded, then turned in a lathe to a precise expanded diameter based on the core ID specs. When the completed shaft is inflated, the metal Centering ledges expand first to hold the core above and concentric to the shaft body OD. These metal ledges do not grip the core, but alone will center a moderate size roll. A second later, the rubber ledges expand out to securely grip the core.

- Two-stage expansion through a single air valve
- Standard on all Reel Spool Shafts
- No Roll Loping
- Higher Speeds possible
- Increased Production
- No Machine Vibration
- Run through a critical speed easily

Use with our **Fail-Safe Internal Check Valves** for the best air shaft you can buy!!



Centering and Internal Valves are features only available in the Goldenrod Multiple Bladder design. **The operator-friendly Multiple Bladder design allows replacement of the air bladders in as little as 10 minutes!**

Reel Spool Shafts

For non-stop machines

MAIN ADVANTAGES:

- non-stop production of the machine with only four expanding shafts.
- centering and internal valves
- reel storage with cardboard cores **without shafts.**
- **drastic reduction** of the number of cylinders.

- Ø up to 700 mm
- max. length 12,000 mm
- expanding and self-centering
- dynamically balanced
- independent air tubes

SVECOM, P.E.
www.svecom.com

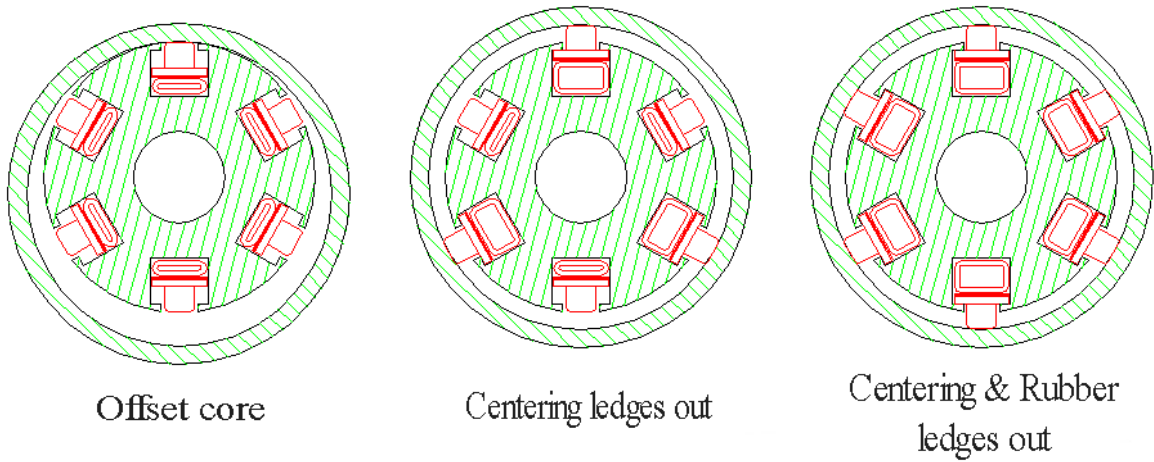
GOLDENROD CORPORATION
160 Union City Road
Prospect, CT 06712
800-465-3763 Fax: 203-723-0074
www.goldenrodusa.com

Goldenrod Corporation

P.O. Box 95 - 25 Lancaster Drive
Beacon Falls, CT 06403

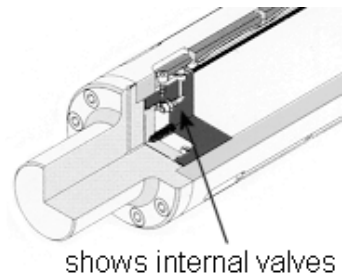
Phone: 203-723-4400 • Fax: 203-723-8230
Toll-free: 800-465-3763 • quotes@goldrod.com

Goldenrod/Svecom Core Centering Process



The Centering and Internal Valve optional features clearly separate Goldenrod from other companies claiming the ability to center a core. Our design is the only time-tested and proven method of pneumatic centering, with thousands of successful installations. **Available only in the Goldenrod Multiple Bladder style.**

Internal Valves are a fail-safe feature that guarantees you'll never lose a roll even in the event of a bladder failure. It is available on all multiple bladder shafts 3" diameter and larger. On larger diameters, each bladder can have its own Internal Check Valve. Each bladder is fully isolated from the others, so if one bladder fails, the rest remain inflated—great for narrow and heavy rolls.



MORE BENEFITS...

- No need to buy unsafe mechanical or expensive pneumatic-mechanical models to achieve roll-centering
- Centering commonly used on rewinds AND unwinds
- 10 to 18 Centering ledges on Reel Spool shaft
- Reduced wear on machine bearings and supports
- Fail-Safe design is commonly used inside vacuum chambers



NEW!! 1260-TBX Pneumatically operated mechanical expansion without internal pistons

GOLDENROD CORPORATION

Goldenrod Corporation – an affiliate of Svecom P.E.
P.O. Box 95-25 Lancaster Drive, Beacon Falls, CT 06403 • TEL (203) 723-4400 • FAX (203) 723-8230 • TOLL FREE (800) 465-3763
www.goldrod.com • quotes@goldrod.com

