

# Setting The Gold Standard

## 1" to 1.5" Differential Shafts For Tape and Ribbon Rewinds

**Goldenrod Corporation** has extended their lead in the pneumatic differential shaft market with 1" to 1.5" diameter shafts with three rows of external gripping elements at 120° to hold and center narrow and multiple cores.

The Multiple Bladder design is a major improvement over other air or mechanical leaf designs:

- Shaft is turned entirely from one piece of solid steel or aluminum—no weak journal connections.
- One-piece design holds more weight with less deflection.
- Extremely low-friction and abrasion-resistant elements impart sensitive resistance to the core ID.
- Expanders run the entire length of the shaft—multiple cores can be placed anywhere along the shaft.
- No need to disassemble metal core locks or rings to unload—just use empty cores as spacers.
- Custom designed—all materials, diameters, lengths, journals are made to your specifications.
- Shafts are designed and manufactured to the same exacting tolerances as all our industry-leading Differential shafts.
- One year warranty and made in the USA. Guaranteed complete service and support.



### **Goldenrod Corporation**

P.O. Box 95 - 25 Lancaster Drive • Beacon Falls, CT 06403

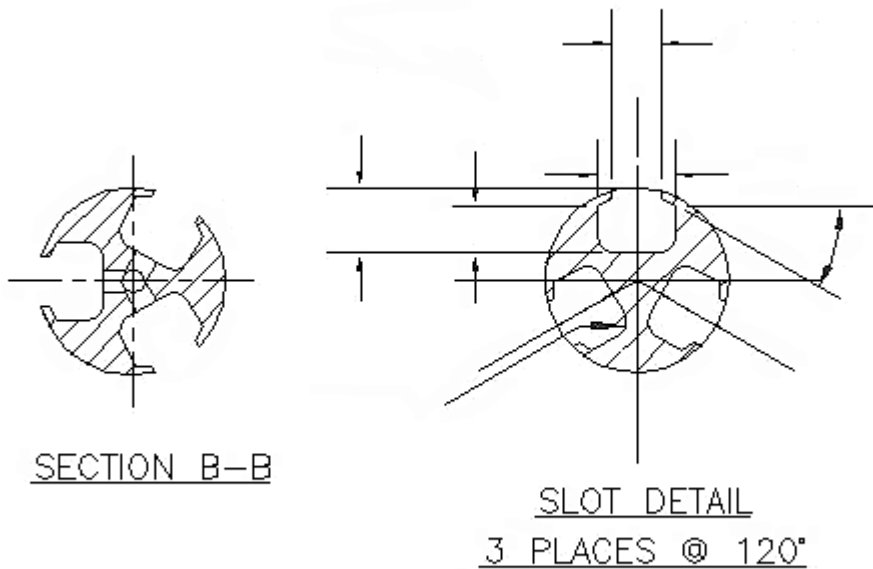
Toll-free: 800-465-3763 • Phone: 203-723-4400

Fax: 203-723-8230

[quotes@goldrod.com](mailto:quotes@goldrod.com)

**GOLDENROD**

# Goldenrod 1"-1.5" Differential Shaft



Goldenrod is the world leader in pneumatic differential rewind shafts and has hundreds of long-lasting successful installations and loyal customers around the globe. We perform a complete application and design review and stand behind this product line with the same pride and integrity as all our shafts.

- One-piece solid steel construction.....no weak journal connections; maximal moment of inertia
- Even web tensions..... 3 ledges at 120-degrees; constant air for smooth resistance to the core ID
- Run different width webs at the same tension.....resistance to the core ID is linear
- Long Life.....steel construction; wear resistant/low friction compound for slip elements
- One year warranty..... 100% guaranteed; complete service, and technical support
- Experience.....years of close relationships with dozens of OEMs

EXAMPLE: 60" OAL; 50" total web width; cantilevered to unload.				
Body diameter	# of ledges	Type of support	Max multiple web load	Max point load on end
1"	3	double bearing or flange	90 lbs	20 lbs
1.5"	3	double bearing or flange	450 lbs	100 lbs
NOTE: Max multiple web load based on max recommended 0.125" deflection.				

## GOLDENROD CORPORATION

Goldenrod Corporation – an affiliate of Svecom P.E.  
 P.O. Box 95-25 Lancaster Drive, Beacon Falls, CT 06403 • TEL (203) 723-4400 • FAX (203) 723-8230 • TOLL FREE (800) 465-3763  
[www.goldrod.com](http://www.goldrod.com) • [quotes@goldrod.com](mailto:quotes@goldrod.com)

