

Setting The Gold Standard

Model 1480-LGAX Axial Chuck

The Goldenrod/Svecom model 1480-LGAX is a simple flange mounted chuck that expands lugs or leaves when the machine arms are brought in to press against the ends of a core.

The design consists of a slotted outer housing with a core stop flange assembled over an inner solid steel body with machined inclined planes. Assembled between are ramped lug expanders and steel springs.

Perfect concentric expansion is accomplished when the side pressure compresses the springs and forces the outer body backward. This action moves the steel lugs up the inclined planes and outward to firmly grip the core. Machined steel leaves may be attached to the lugs. Once the side pressure is removed, the springs to the relaxed position.

NEW! All sizes now have roller bearings between the inclined planes for smooth expansion and guaranteed retraction.

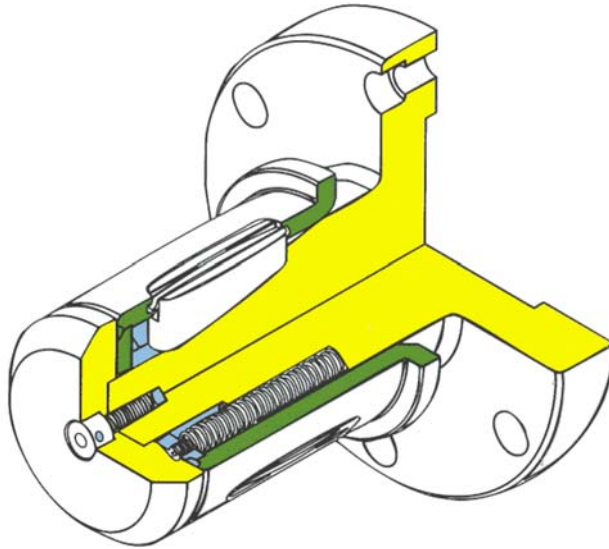


- **Self-Expanding—No Air Required**
- **Quick, Positive Expansion/Retraction**
- **Concentric Mechanical Expansion**
- **Available in 3" to 16" diameters**
- **Adapters easily slip onto base chuck**
- **Available in Step Design**
- **Standard Diameters in Stock!**

Goldenrod Corporation

P.O. Box 95 - 25 Lancaster Drive
Beacon Falls, CT 06403
Toll-free: 800-465-3763
Phone: 203-723-4400
Fax: 203-723-8230
quotes@goldrod.com

Model 1480-LGAX



- Maintenance Free.....eliminates costly down-time due to leaky seals, valves, and broken springs
- Strength.....handles very high roll weight
- Requires No Air.....reduced installation costs; no risks for air leakages
- High Quality Construction.....custom designed; over 40 years experience
- Goldenrod Guarantee.....one year warranty insures you have the best quality product

Goldenrod and Svecom have over 35 representatives world-wide to assist you in the design, installation, and service of all our products, or help you solve a current web processing problem. We also manufacture a full line of mechanical and pneumatic shaft and chucks—Please call us for details.

Standard Model Specifications (all can be customized to meet your needs)

Core Diameter		70 mm - 3"	4"	5"	6"
Max Roll Weight	N	25000	31000	42000	54000
	Lbs	5700	7000	9500	12200
Max Torque Per Chuck (cardboard cores)	Nm	380	450	540	675
	Lb-in	3370	4000	4800	6000
Max Torque Per Chuck (steel cores)	Nm	200	240	290	350
	Lb-in	1770	2120	2550	3100
NOTE: Torque figures based on 1800 lbs of axial thrust. All chucks have 10-12 mm of expansion.					

GOLDENROD CORPORATION

Goldenrod Corporation – an affiliate of Svecom P.E.

P.O. Box 95-25 Lancaster Drive, Beacon Falls, CT 06403 • TEL (203) 723-4400 • FAX (203) 723-8230 • TOLL FREE (800) 465-3763

www.goldrod.com • quotes@goldrod.com

