

# Setting The Gold Standard

## Model 1480-LFTX Torque Chuck

The Goldenrod/Svecom model 1480-LFTX offers key advantages over competitive torque chucks.

The design has a set of outer movable gripping leaves assembled over a cam-shaped inner stationary body. Under each of the leaves are steel roller pins mounted into bi-directional cradles. The torque of the roll causes the leaves to slide across the roller pins, which in turn moves the pins up the sides of the cradles to concentrically expand all the leaves and lock the core in place as long as constant torque is applied. With no torque, the leaves spring retract to the relaxed position.

#### OPTIONAL DESIGN:

Two bearings mounted on the front and rear of the inner body, allowing the leaves to smoothly expand with very low tension.



- Self-Expanding—No Air Required
- Quick and Positive Expansion and Retraction
- Concentric Mechanical Expansion
- Flange or Center Bolt Mount
- Available in 3" to 16" diameters
- Available with Bolt-on Adapters
- Available in Step Design
- Standard Diameters in Stock!

#### Goldenrod Corporation

P.O. Box 95 - 25 Lancaster Drive • Beacon Falls, CT 06403

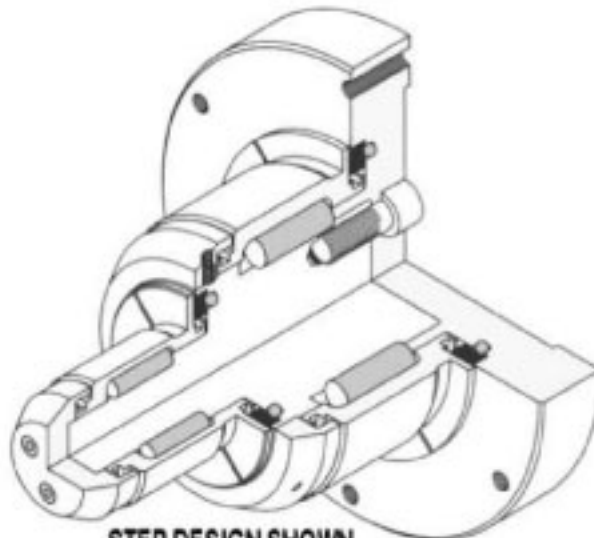
Toll-free: 800-465-3763 • Phone: 203-723-4400

Fax: 203-723-8230

[quotes@goldrod.com](mailto:quotes@goldrod.com)

GOLDENROD

## Model 1480-LFTX



STEP DESIGN SHOWN

- Maintenance Free.....eliminates costly down-time due to leaky seals, valves, and broken springs
- Strength.....handles very high roll weight
- Requires No Air.....reduced installation costs; no risks for air leakages
- High Quality Construction.....custom designed; over 40 years experience
- Goldenrod Guarantee.....one year warranty insures you have the best quality product

Goldenrod and Svecom have over 35 representatives world-wide to assist you in the design, installation, and service of all our products, or help you solve a current web processing problem. We also manufacture a full line of mechanical and pneumatic shaft and chucks—Please call us for details.

Standard Model Specifications (all can be customized to meet your needs)

Core Diameter (inches)		70 mm-3"	4"	5"	6"
Number of Leafs on circumference		3/4	3/4	4	4
Max Roll Weight	N	32000	42000	54000	70000
	Lbs	7200	8440	12140	15740
Max Torque Per Chuck (cardboard cores)	Nm	550	800	1250	1900
	Lb-in	4870	7080	11065	16820
Max Torque Per Chuck (steel cores)	Nm	380	520	830	1150
	Lb-in	3365	4600	7350	10180

# GOLDENROD CORPORATION

Goldenrod Corporation – an affiliate of Svecom P.E.

25 Lancaster Drive Beacon Falls, CT • TEL (203) 758-0100 • FAX (203) 758-0074 • [www.goldrod.com](http://www.goldrod.com)

