

Setting The Gold Standard

Pneumatic Mechanical Chuck Model 1420-LF

The Model 1420-LF Pneumatic Mechanical Chuck is recommended primarily for unwinding, where perfect centering is required. It can also be used for winding and rewinding, and is superior for higher weight, speed, and torque requirements. The body of the chuck and the expanders (lugs or leaves, depending on the application) are available in steel only. The chuck is available in flange or shaft extension type mountings.

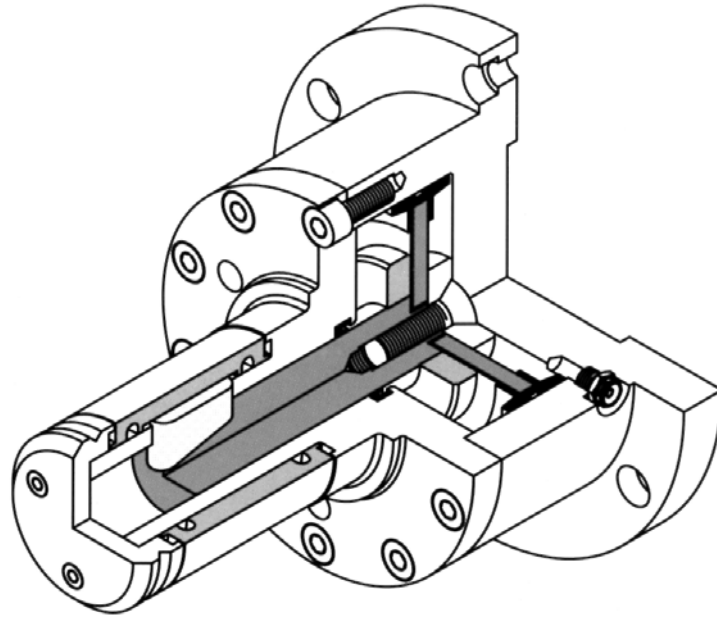
Expansion is accomplished by one (or more) air activated pistons that mechanically engage the expanders. Expansion can be spring-activated so as to ensure the core is gripped in case of air leakage in the machine (expanders are retracted with air). When running different core diameters, suitable interchangeable adapters can be fitted onto one base chuck.

Model 1420-LFH is a hybrid design recommended for extremely high torque requirements, especially with steel cores. Combined with the pneumatic mechanical system, the patented Goldenrod/Svecom self-expanding system (activated through the web tension) further expands the leaves during the heavy duty applications such as very quick emergency stops.

Expanding chucks - standard 3" base chucks available from stock with 4", 5" and 6" adapters, or custom to suit your application.



Pneumatic Mechanical Chuck Specs



Technical Features

Core diameter in mm	70/76	100	120	150
Number of lugs/leaves on circumference	3	3	4	6
Max. carrying capacity per chuck (lbs.)	2700	3150	4500	5200
Max. torque (in-lbs.) with cardboard cores	5300	7100	8850	10600
Max. torque (in-lbs.) with steel cores	3550	4700	5850	7100

Features

- excellent centering qualities
- multiple core sizes with one chuck
- greater capacities
- high quality parts
- SVECOM guarantee

Benefits

- high performance; truer rolls.
- eliminates need for one chuck for each core size; reduces changeover time.
- handles very high weight, web speeds and torque levels.
- quality components chosen for each application; 30 years experience.
- twelve month guarantee insures that you receive the best quality product.

Pneumatic Mechanical chucks with Self-Expansion

Model 1420-LFH is a hybrid design recommended for extremely high torque requirements, especially with steel cores. Combined with the pneumatic mechanical system, the patented Goldenrod/Svecom self-expanding system (activated through the web tension) further expands the leaves during heavy duty applications such as very quick emergency stops. The torque capacities are approximately 1/3 greater than the 1420-LF models.

GOLDENROD CORPORATION

Goldenrod Corporation – an affiliate of Svecom P.E.

P.O. Box 95-25 Lancaster Drive, Beacon Falls, CT 06403 • TEL (203) 723-4400 • FAX (203) 723-8230 • TOLL FREE (800) 465-3763

www.goldrod.com • quotes@goldrod.com

